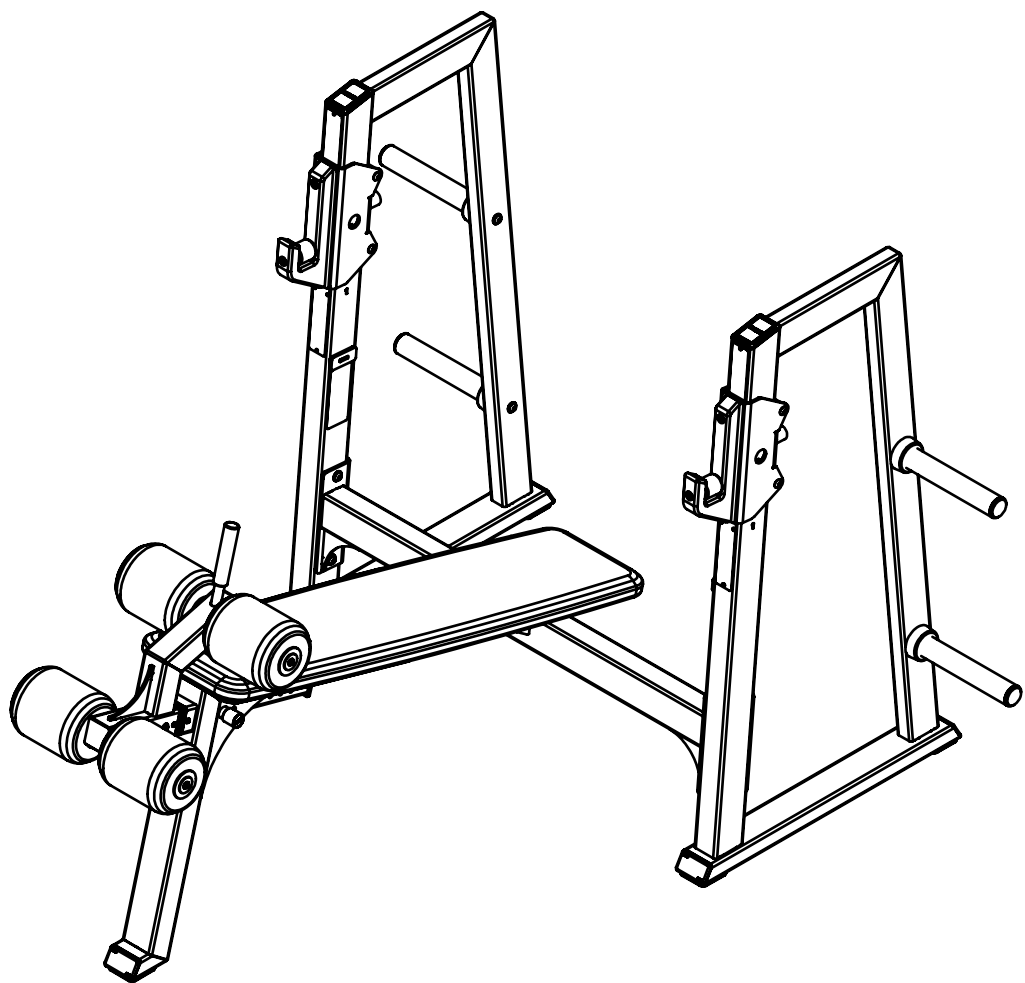


ELEIKO OLYMPIC DECLINE BENCH

Art.no. 3062968, 3062969



ELEIKO

CONTENTS

Read before installation and use	4
Safety instructions	4
Warning labels	5
List of components	6
Assembly instructions	8
Tools needed	8
User guide	16
Purpose	16
General instructions for use	16
Product specifications	16
Care and maintenance	17
Preventive maintenance and inspections	17
Spare parts and service	17
Warranty	17

READ BEFORE INSTALLATION AND USE

Install and use this equipment in a place where access and supervision are specifically controlled by the owner.

Be sure to install the equipment on a stable base and level the equipment properly. Eleiko recommends that all equipment is secured to the floor and installed by a licensed contractor or an Eleiko installer.

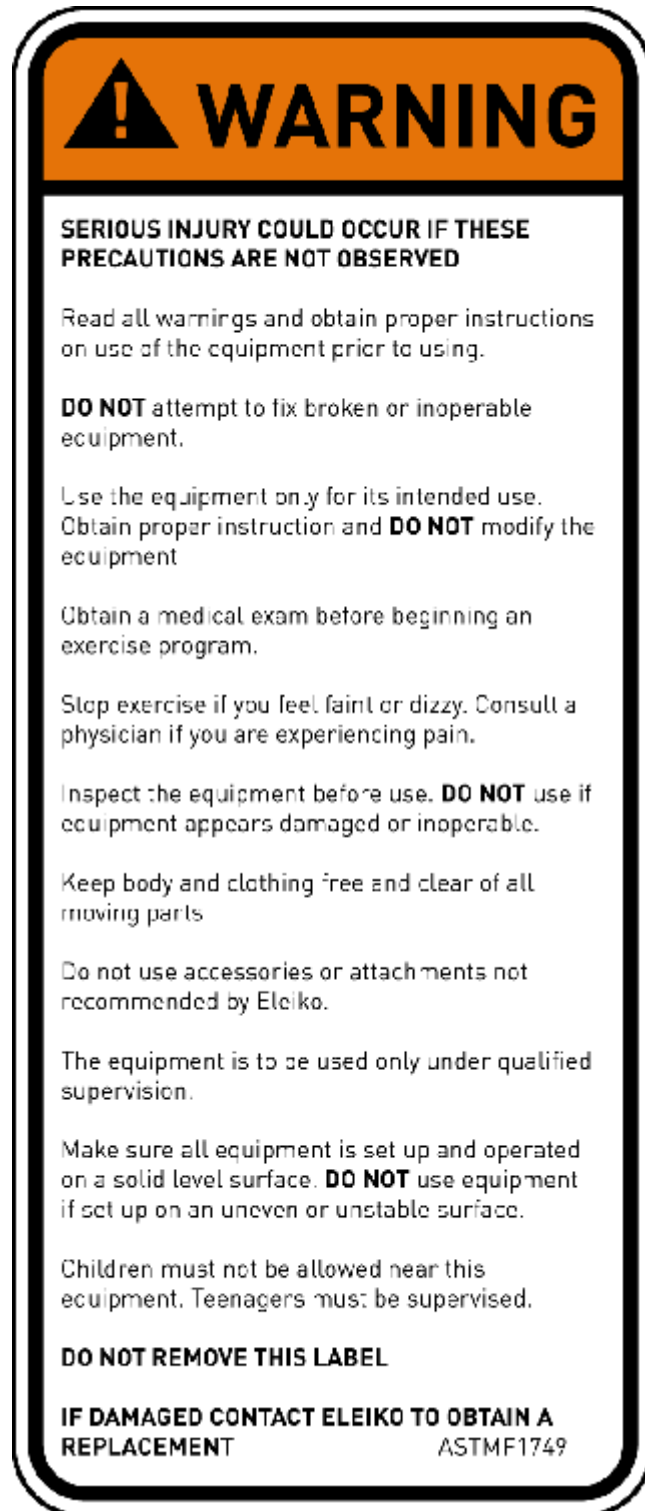
This equipment is intended for indoor use only.

SAFETY INSTRUCTIONS

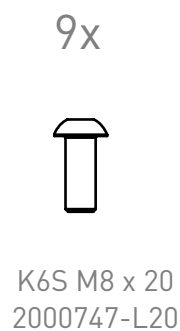
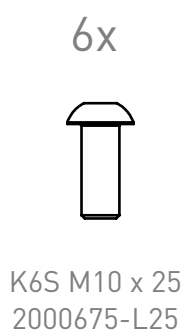
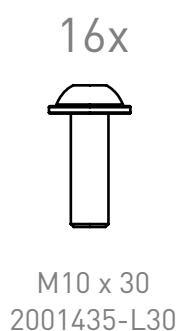
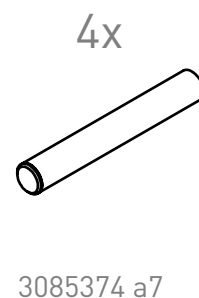
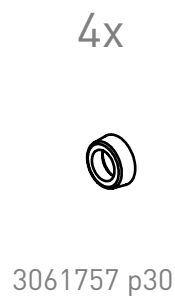
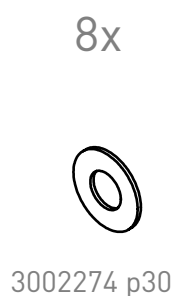
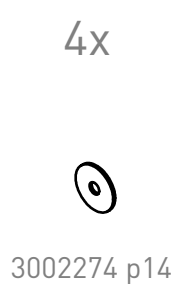
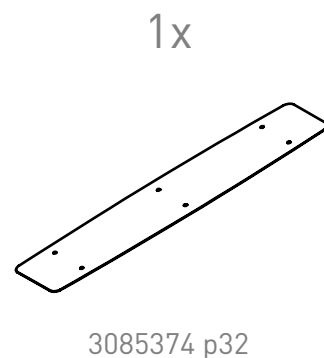
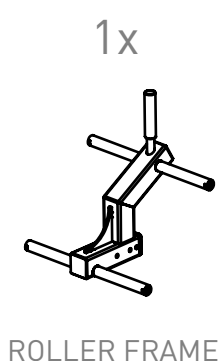
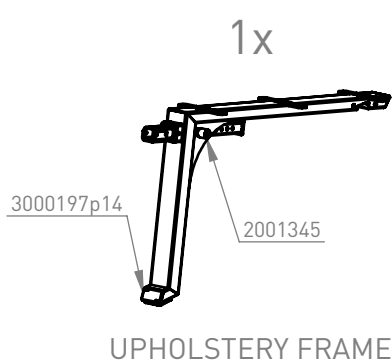
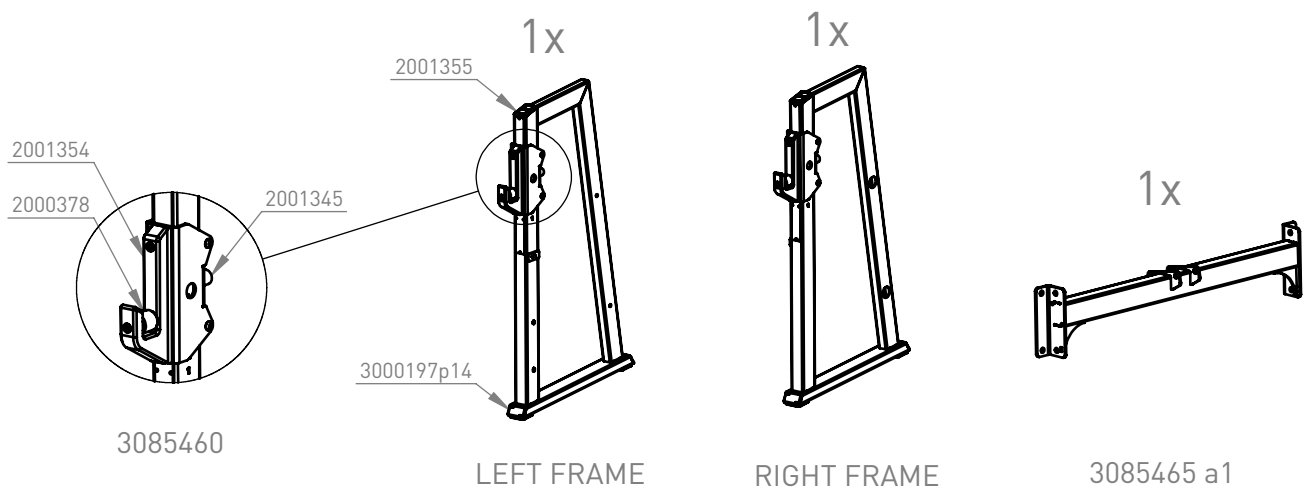
It is the responsibility of the purchaser of ELEIKO products to instruct all users and supervising personnel on proper usage of the equipment.

1. All included warnings (labels) and instructions **MUST** be read before the use of any Eleiko equipment. Only use the equipment as it is intended.
2. A user **MUST** get a medical examination and proper instructions before using any Eleiko equipment.
3. **DO NOT** let anyone, under any circumstances, use equipment that appears to be damaged. Do not try to repair any equipment before consulting an Eleiko technician.
4. **DO NOT** replace components of Eleiko equipment with other, none Eleiko, equipment (magnetic safety pin, frames, bars etc.). Do not improvise! If there are any doubts, consult an Eleiko representative prior to any intervention.
5. **DO NOT** overload the equipment and **DO NOT** try to exceed personal strength levels.
6. Children under the age of 14 must be supervised by an adult.
7. **DO NOT** remove any safety labels from the Eleiko equipment. Eleiko is not responsible if a label is removed. Replace damaged labels immediately.
8. Eleiko packaging for products can be made of wood. Be aware of splinters! You **MUST** use protective gloves and proper work wear.
9. Eleiko packaging material could be a risk when handling. Be aware of crushing! You **MUST** use work wear including protective gloves and hard shoes.
10. Eleiko products and packing material are heavy, You **MUST** use proper lifting techniques, work wear and hard shoes.

WARNING LABELS



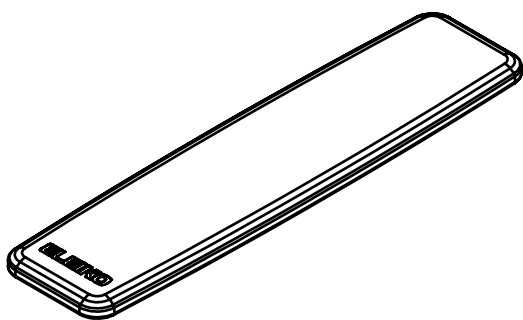
LIST OF COMPONENTS



LIST OF COMPONENTS

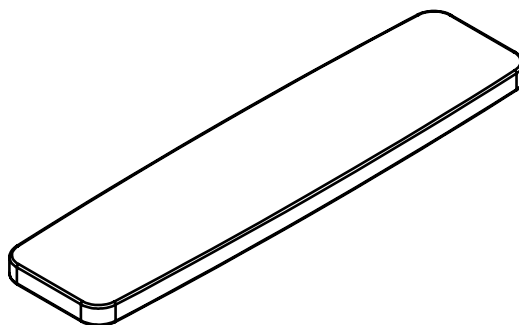
UPHOLSTERY

1x



UPHOLSTERY POLYURETHANE
2001277

1x



UPHOLSTERY SKAI LEATHER
2001394

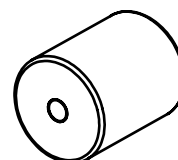
OR

4x



UPHOLSTERY ROLL POLYURETHANE
2001274

4x

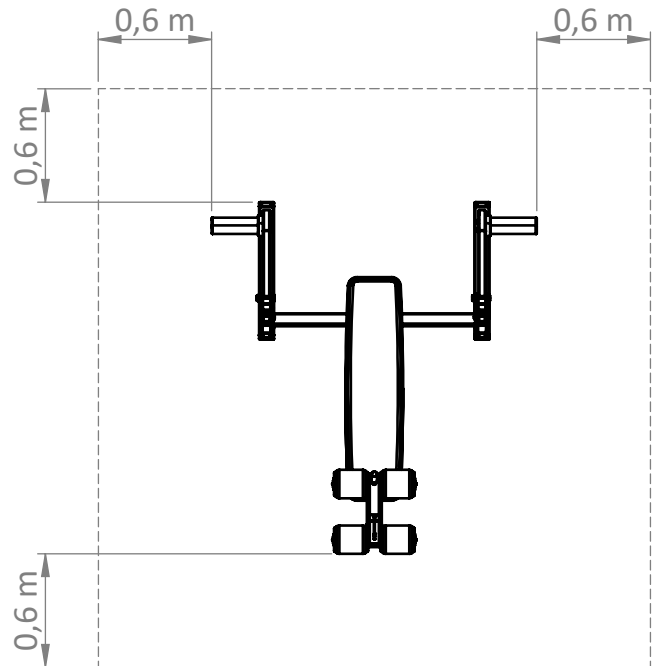


UPHOLSTERY ROLL SKAI LEATHER
2001392

OR

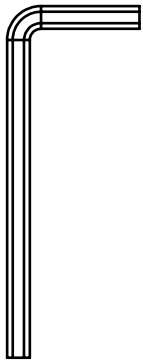
ASSEMBLY INSTRUCTIONS

Before assembly, make sure you have enough clearance on all sides of the equipment, not less than 0,6 meters. Take in account the accessibility to remove and replace bar and weights.

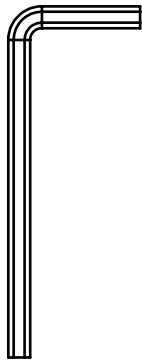


TOOLS NEEDED

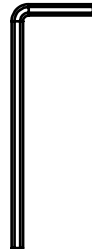
You need the following tools to assemble the equipment.



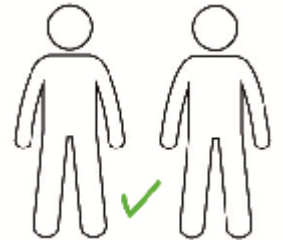
ALLEN KEY SIZE 6



ALLEN KEY SIZE 5

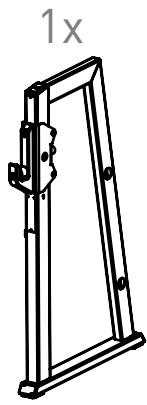


ALLEN KEY SIZE 3

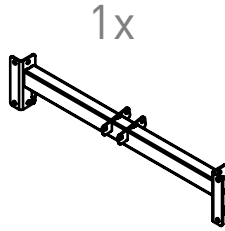


NOTE: Do not use electric power tools for assembly.

1.



RIGHT FRAME



3085465 a1

4x



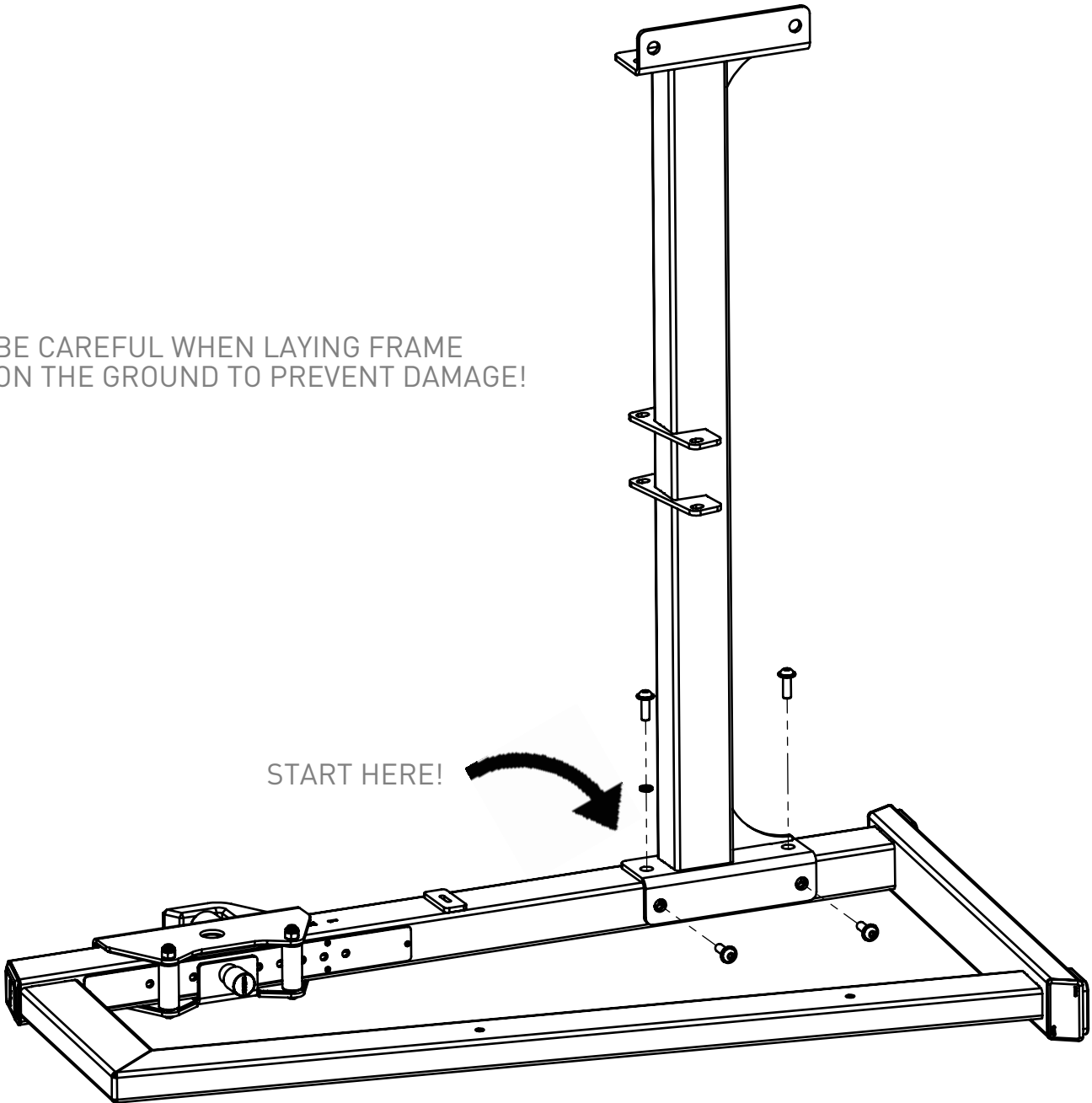
M10 x 30

1x



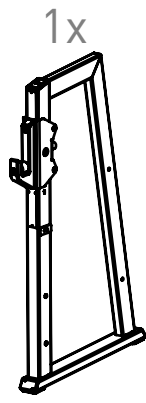
3080009 p23

BE CAREFUL WHEN LAYING FRAME
ON THE GROUND TO PREVENT DAMAGE!



LOOSE SCREWS!

2.



LEFT FRAME

4x

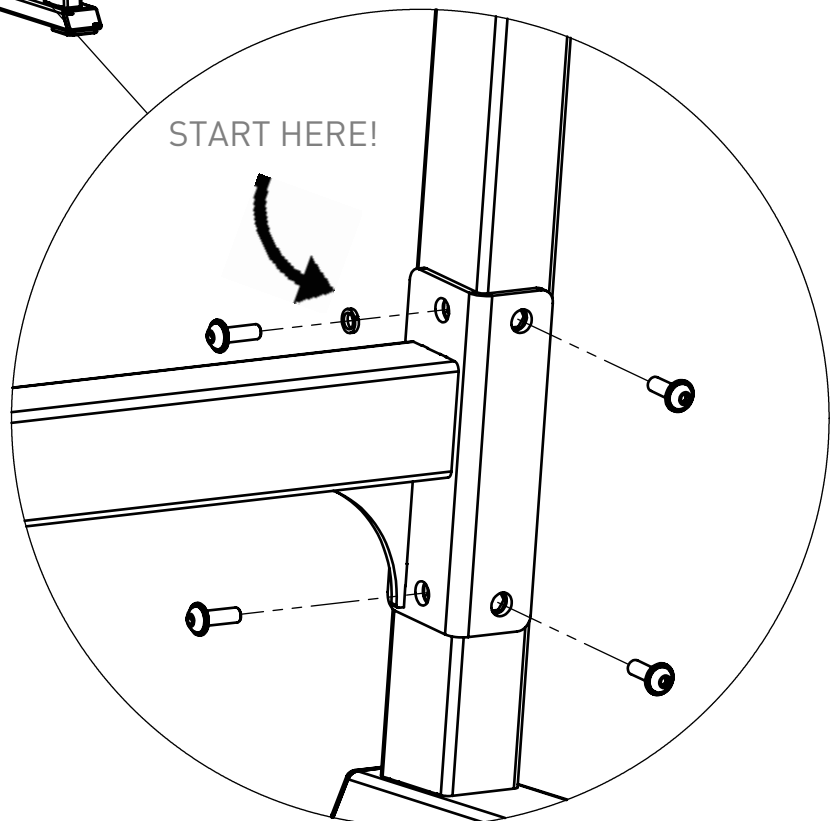
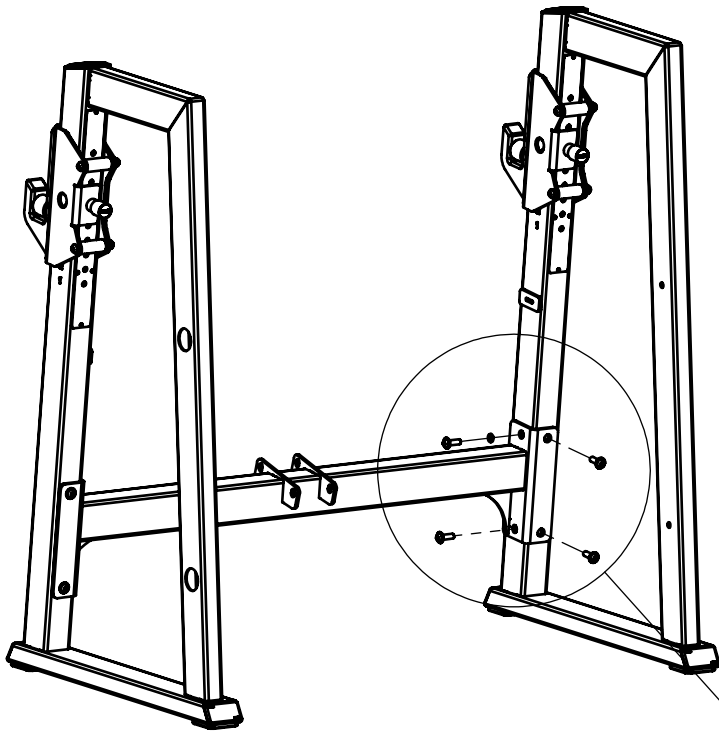


M10 x 30

1x



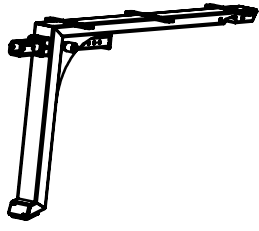
3080009 p23



LOOSE SCREWS!

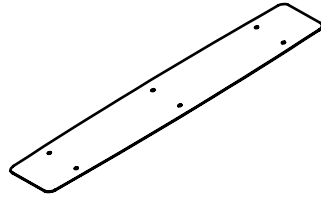
3.

1x



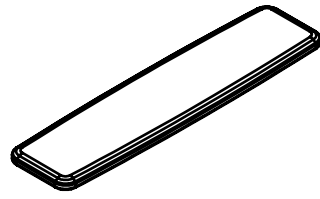
UPHOLSTERY FRAME

1x



3085374 p32

1x

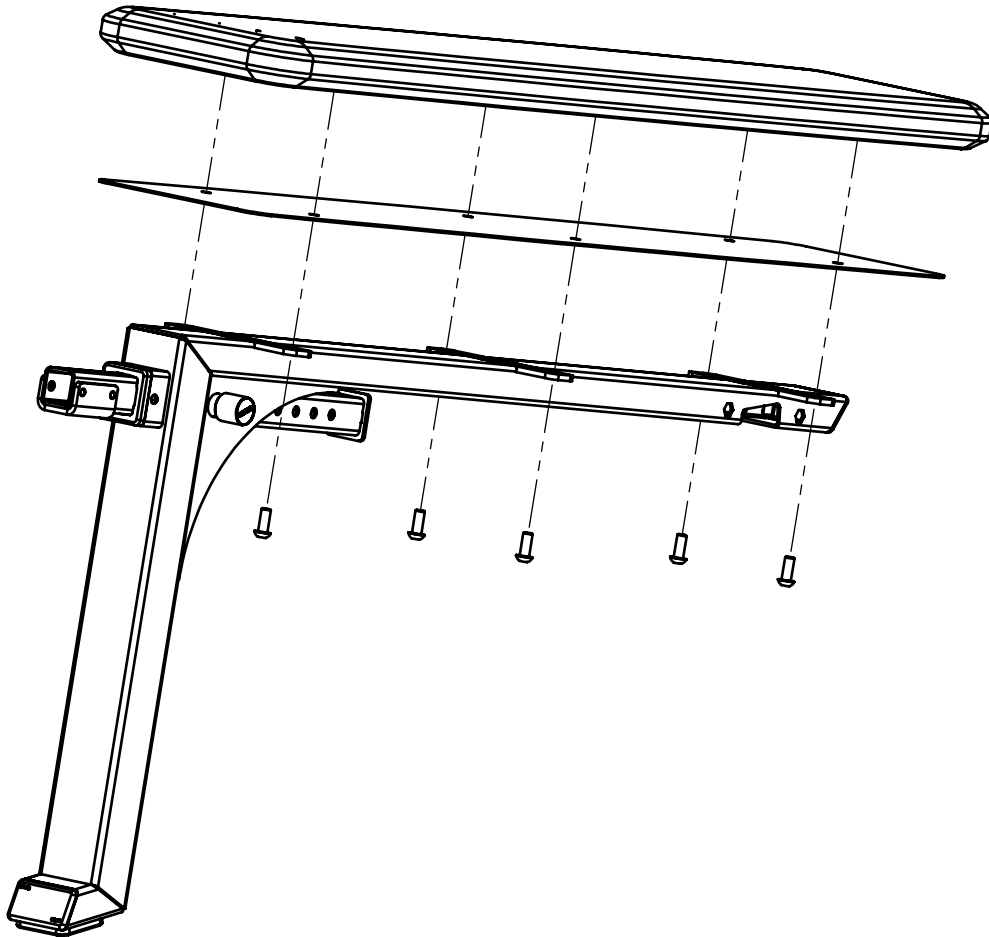


UPHOLSTERY

6x



K6S M10 x 25

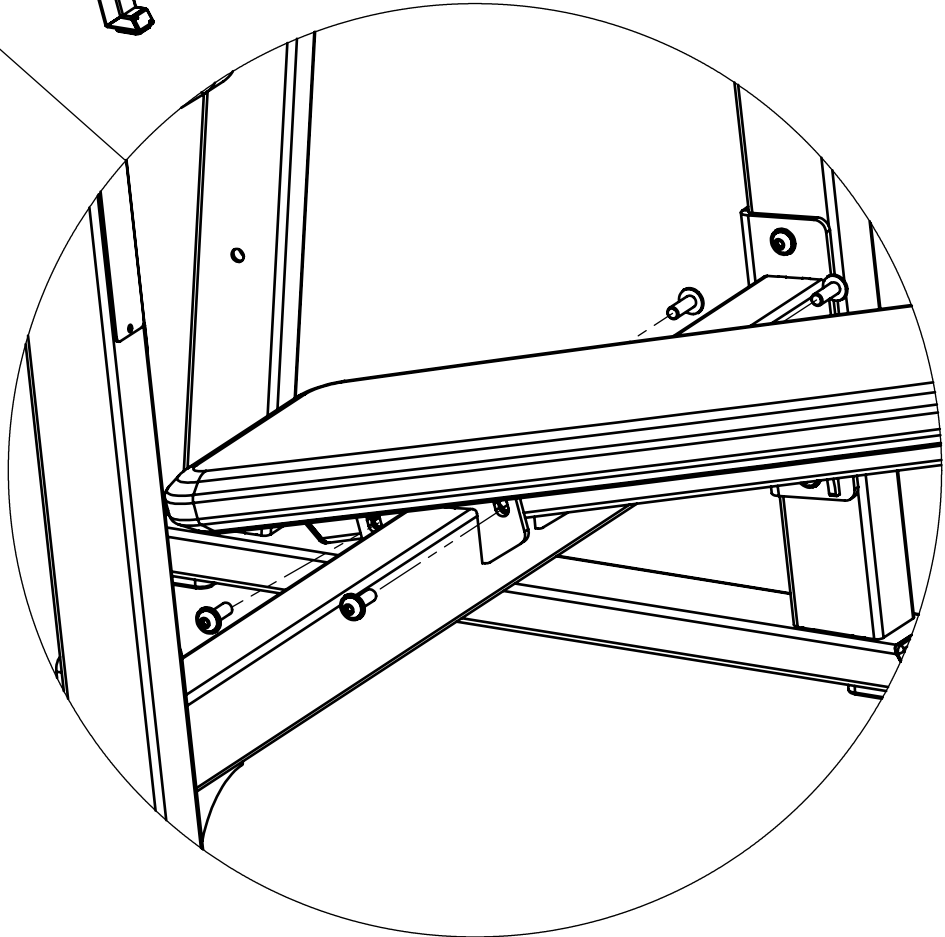
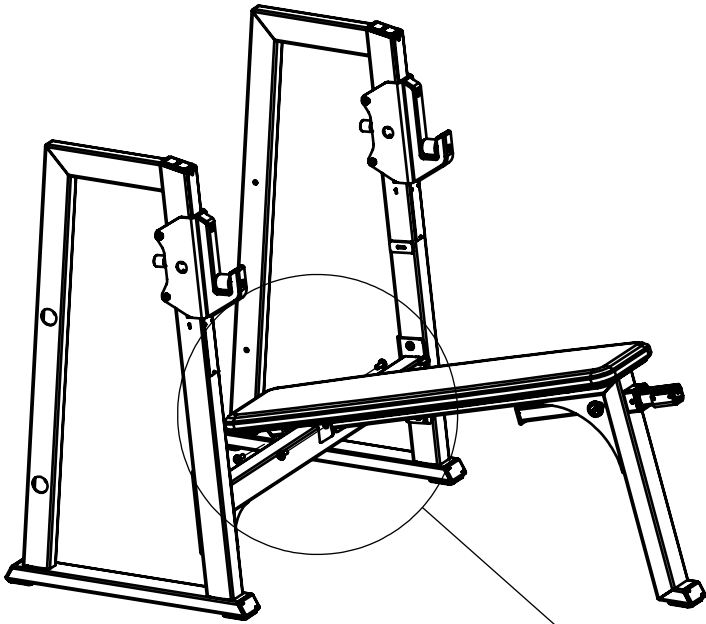


4.

4x

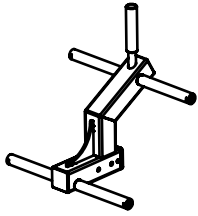


M10 x 30



5.

1x

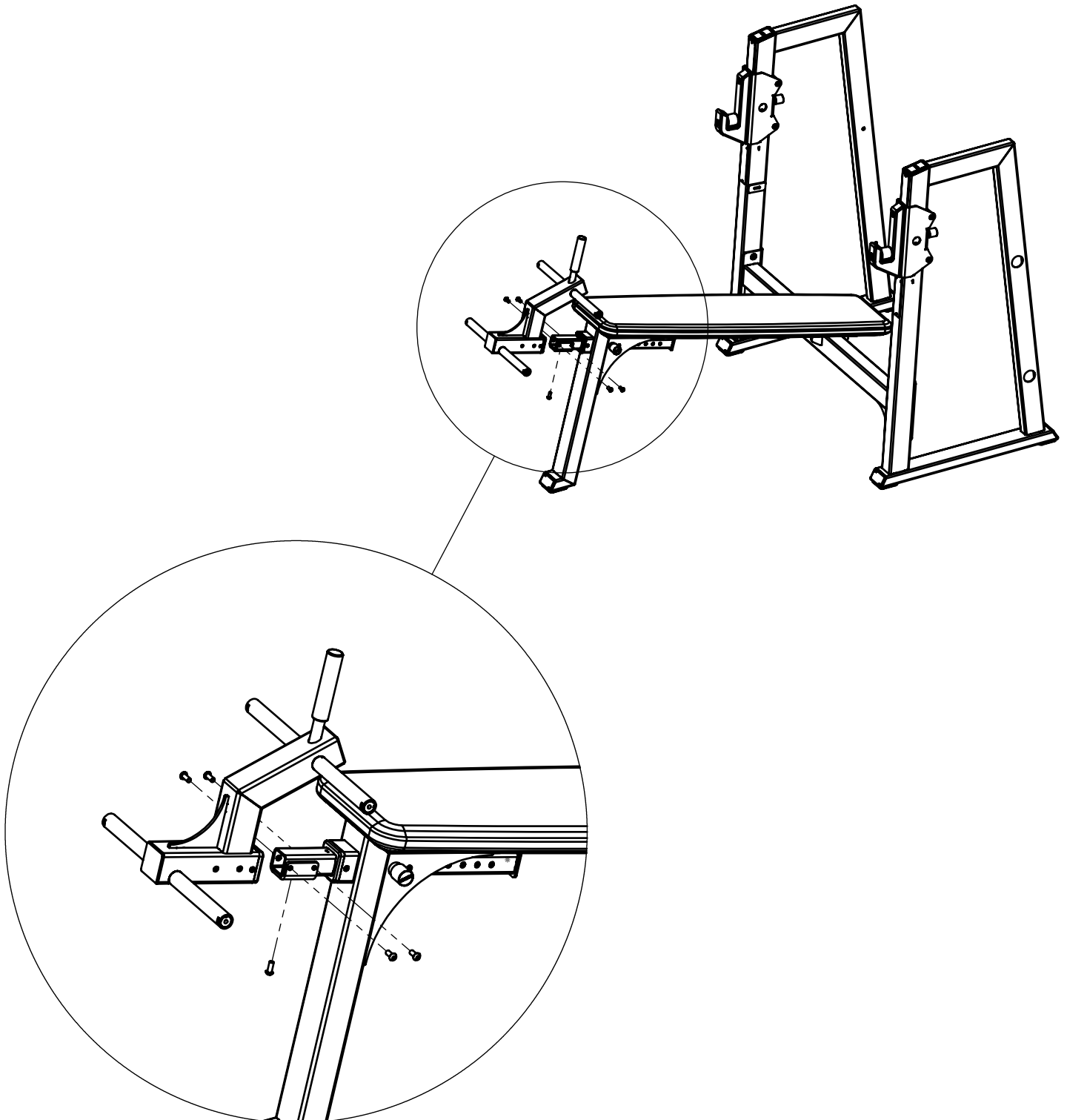


ROLLER FRAME

5x



K65 M8 x 20



6.

4x



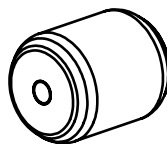
3002274 p14

8x



3002274 p30

4x

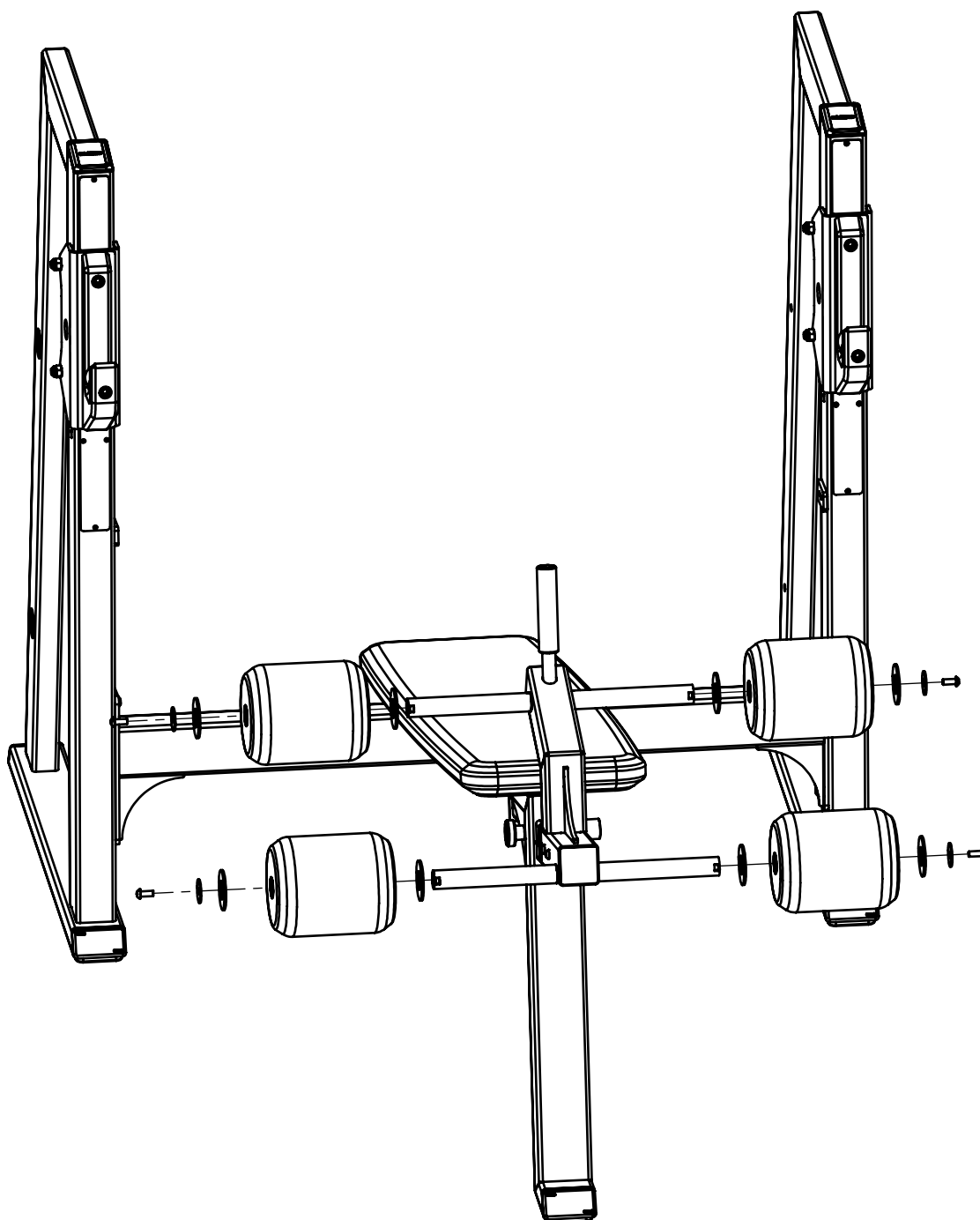


UPHOLSTERY ROLL

4x



K6S M8 x 20



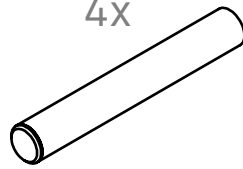
7.

4x



3061757 p30

4x

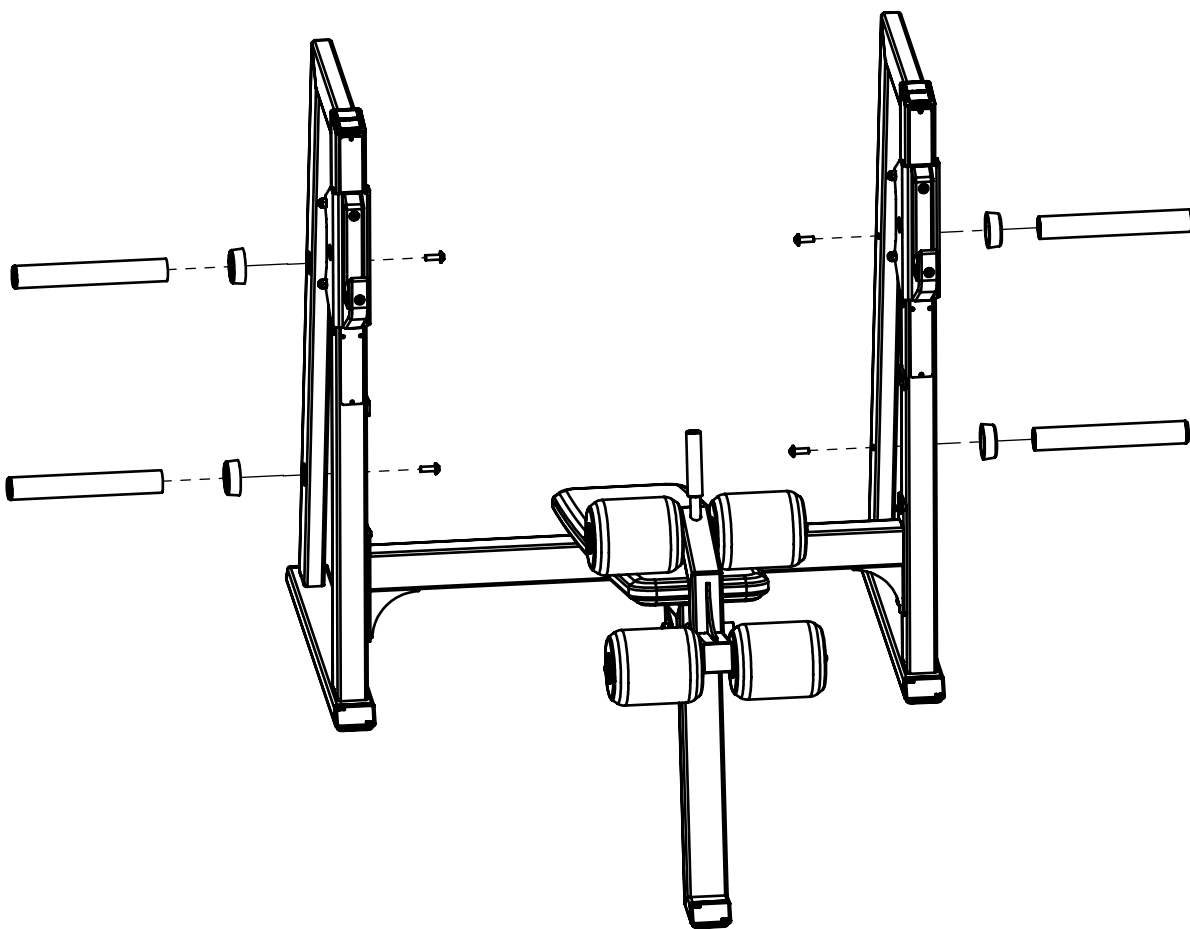


3085374 a7

4x



M10 x 30



TIGHTEN ALL SCREWS!

USER GUIDE

PURPOSE

The unit is designed to be used for a variety of bench press exercises from a declined bench position.

GENERAL INSTRUCTIONS FOR USE

1. Ideally use a barbell that meets or is IWF/IPF-certified.
2. Never stand on the pad and never put the barbell on the cushion.

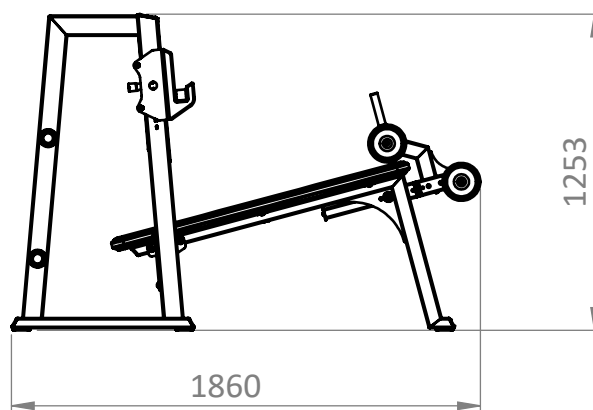
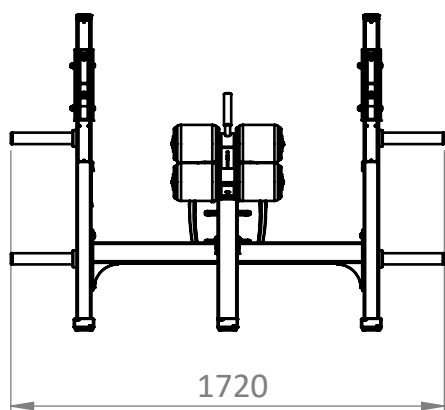
PRODUCT SPECIFICATION

Max user weight 150 kg / 330 lbs

Max training weight 350 kg / 770 lbs

Product weight 84 kg / 185,2 lbs

Dimensions (L x W x H)
1860 x 1715,39 x 1253 mm
73,22 x 67,54 x 49,33"



CARE AND MAINTENANCE

PREVENTIVE MAINTENANCE AND INSPECTIONS

NOTE: The safety level of the equipment can only be maintained if it is examined regularly for damage and wear.

Daily:

- Cleaning of upholstery.

Regularly:

- Clean surfaces on the frames and tubes from dust and dirt.
- Check that all bolts between parts, walls and floors are properly tightened, according to recommendations.
- Check equipment for sharp edges. Replace parts with sharp edges.
- Check equipment structural frames and welds to ensure they are free from cracks, irregularities or any other abnormalities. If in doubt, consult an Eleiko representative before product use.

Cleaning and Care:

- Apply a mild soap detergent to a lint free cloth, then wipe down product surface.
- While it is safe to use an alcohol-based neutral pH7 solution on surface-treated steel elements of the benches and racks, take care to avoid pads and cushions.
- We recommend alcohol-free, bleach-free, and o-phenylphenol (OPP) ammonia-free wipes.

See also www.eleiko.com.

SPARE PARTS AND SERVICE

Contact Eleiko for spare parts and service:

Eleiko Group AB | Klastorpsvägen 18 | SE-302 62 HALMSTAD | Sweden

E-mail: info@eleiko.com | Phone: +46 35 17 70 70

www.eleiko.com

WARRANTY

All products manufactured by ELEIKO are warranted to the original purchaser to be free from defects in workmanship and / or materials under normal use or service as follows:

- 10 years on structural frame welds (NOT on moving parts).
- 1 year on wear and tear parts.
- 1 year on polyurethane upholstery.
- 6 months on skai-leather upholstery.

Normal wear and tear do not fall under the 10-year warranty.

ELEIKO

Eleiko Group AB | Klastorpsvägen 18 | SE-302 62 HALMSTAD | Sweden
E-mail: info@eleiko.com | Phone: +46 35 17 70 70

www.eleiko.com